

PSW 18-20 Battery



Deutsch	6
English	14
Français	21
Italiano	30
Nederlands	38
Español	46
Português	54
Dansk	62
Norsk	69
Svenska	76
Suomi	84
Ελληνικά	91
Türkçe	100
Русский	107
Magyar	117
Čeština	125
Slovenščina	132
Polski	140
Românește	148
Slovenčina	156
Hrvatski	164
Srpski	171
Български	179
Eesti	188
Latviešu	195
Lietuviškai	203
Українська	210
Қазақша	219
日本語	228
العربية	239

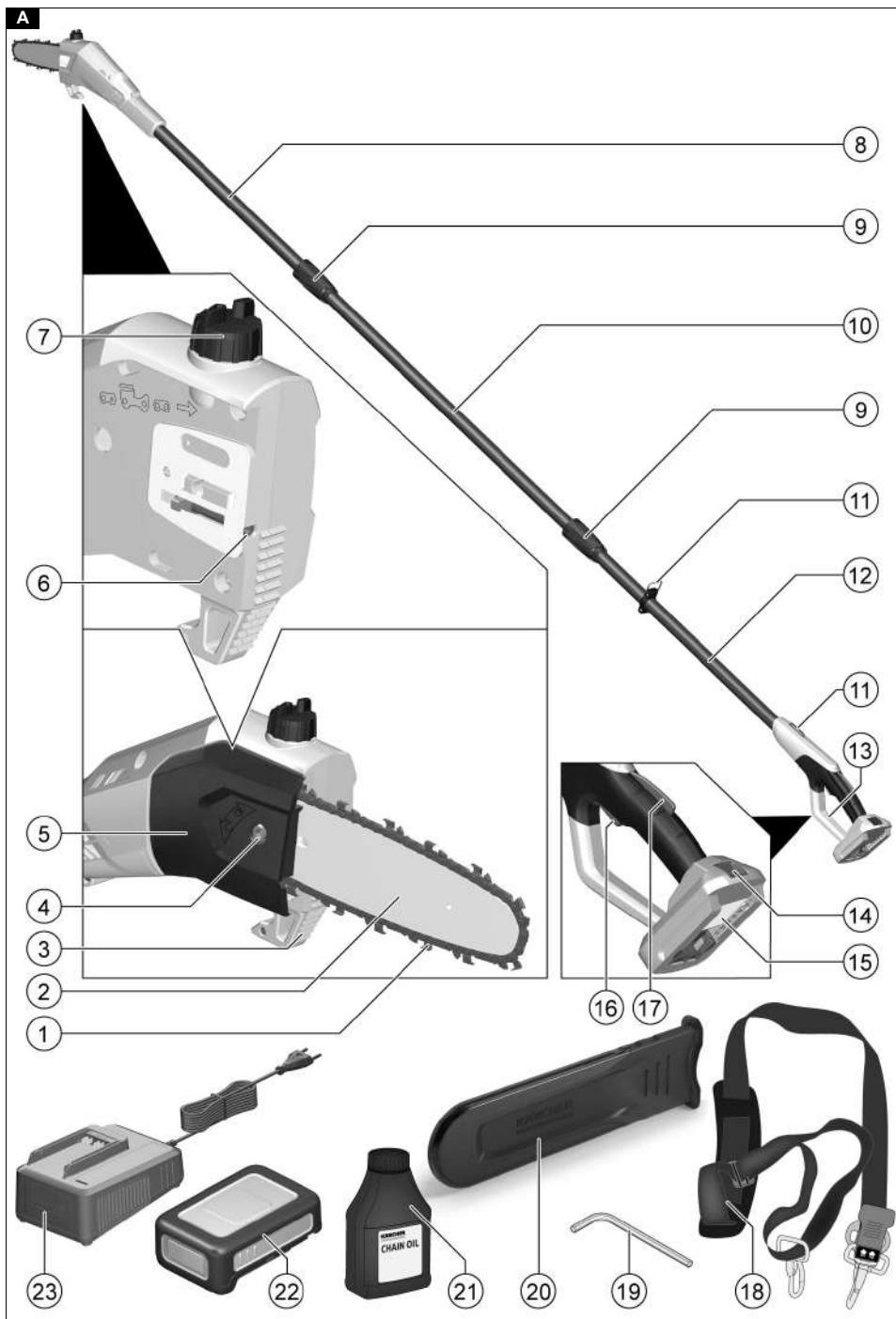


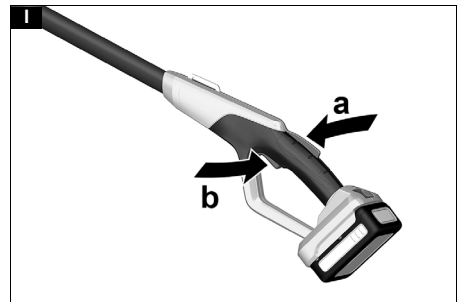
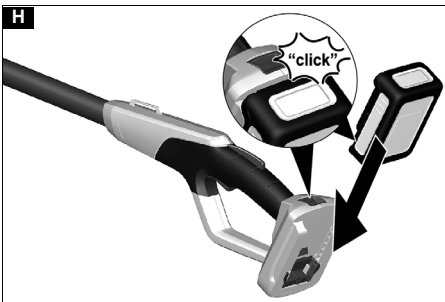
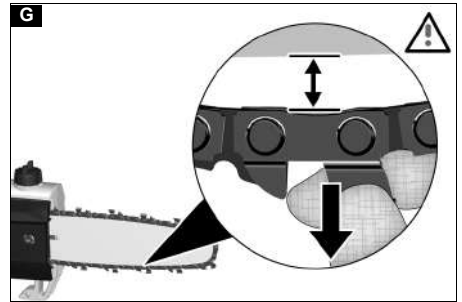
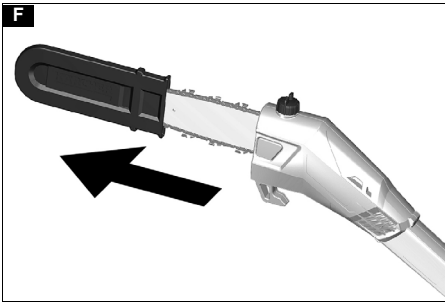
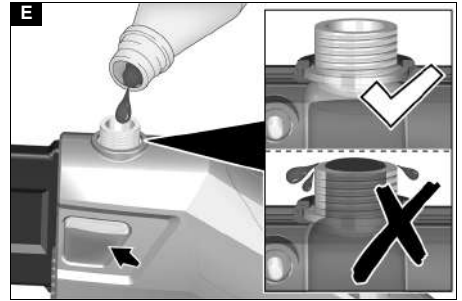
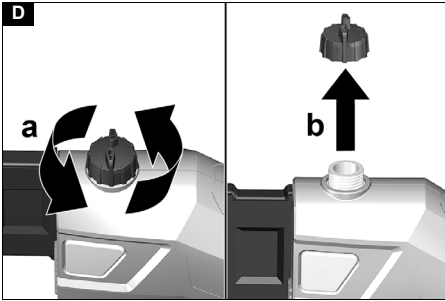
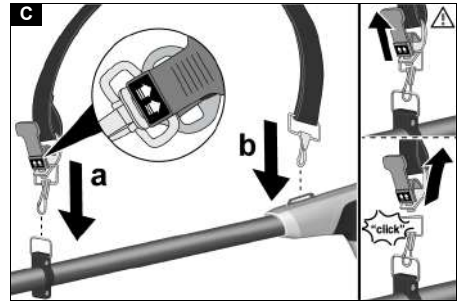
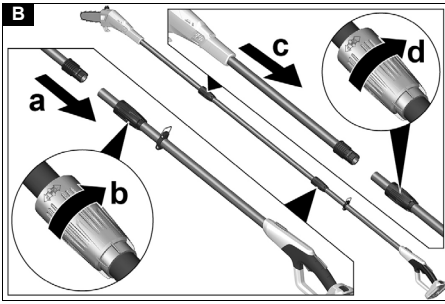
Register
your product

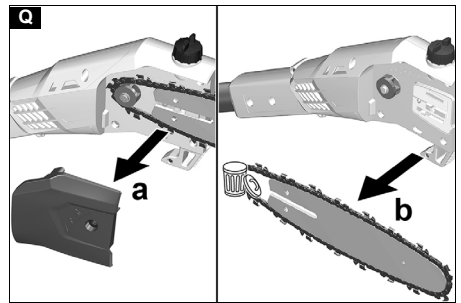
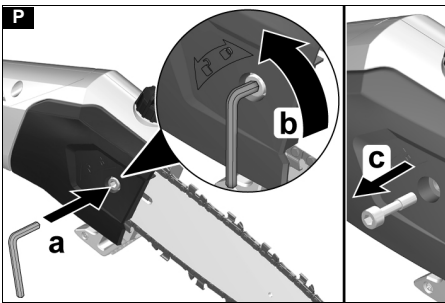
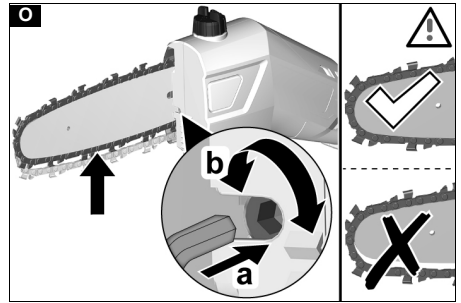
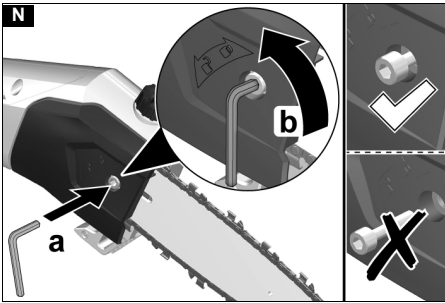
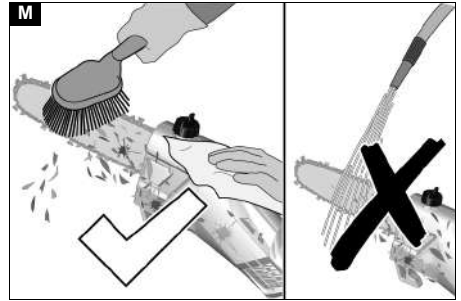
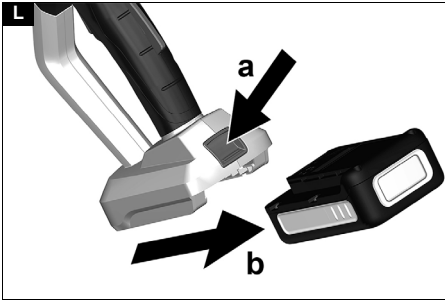
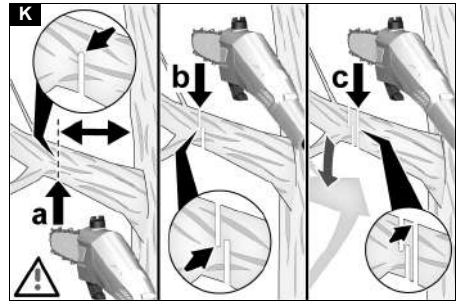
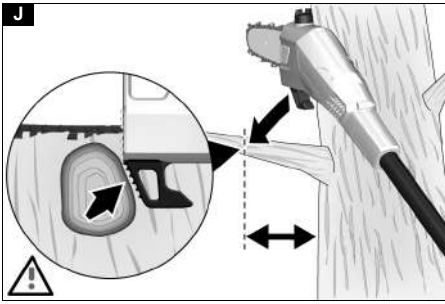
www.kaercher.com/welcome

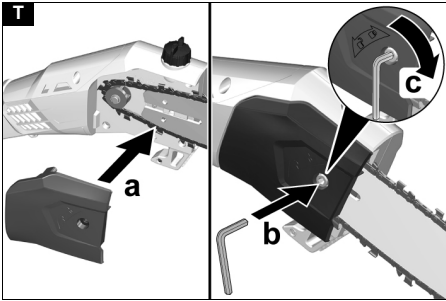
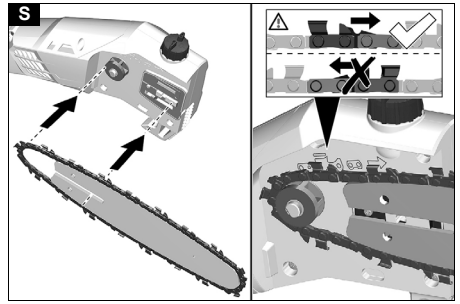
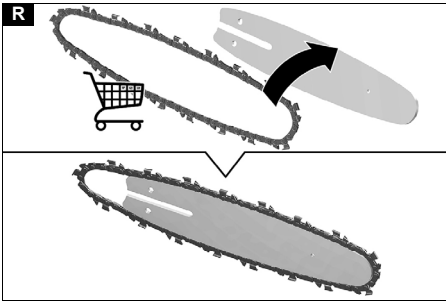


59695620 (03/22)









Dokumentationsbevollmächtigter:

S. Reiser
Alfred Kärcher SE & Co. KG
Alfred-Kärcher-Str. 28 - 40
71364 Winnenden (Germany)
Tel.: +49 7195 14-0
Fax: +49 7195 14-2212
Winnenden, 2018/09/01

Contents

General notes	14
Safety instructions	14
Intended use	17
Environmental protection	17
Accessories and spare parts	17
Scope of delivery	17
Symbols on the device	17
Protective clothing	18
Description of the device	18
Initial startup	18
Operation	19
Transport	19
Storage	19
Care and service	19
Troubleshooting guide	20
Warranty	20
Technical data	20
Declaration of Conformity	21

General notes



Read these safety instructions, these original instructions, the safety instructions provided with the battery pack and the original instructions supplied with the battery pack/standard

charger before using the device for the first time. Act in accordance with them. Keep the booklets for future reference or for future owners.

In addition to the notes in the operating instructions, you also need to take into consideration the general safety regulations and accident prevention guidelines applicable by law.

Safety instructions

Hazard levels

⚠ **DANGER**

- Indication of an imminent threat of danger that will lead to severe injuries or even death.

⚠ **WARNING**

- Indication of a potentially dangerous situation that may lead to severe injuries or even death.

⚠ **CAUTION**

- Indication of a potentially dangerous situation that may lead to minor injuries.

ATTENTION

- Indication of a potentially dangerous situation that may lead to damage to property.

General Power Tool Safety Instructions

⚠ **WARNING**

- **Read all safety warnings and all instructions.** Failure to follow the warnings and instructions may result in electric shock, fire and/or serious injury. **Save all warnings and instructions for future reference.**

The term "power tool" in the warnings refers to your mains-operated (corded) power tool or battery-operated (cordless) power tool.

- 1 **Work area safety**
 - a **Keep work area clean and well lit.** Cluttered or dark areas invite accidents.
 - b **Do not operate power tools in explosive atmospheres, such as in the presence of flammable liquids, gases or dust.** Power tools create sparks which may ignite the dust or fumes.
 - c **Keep children and bystanders away while operating a power tool.** Distractions can cause you to lose control.
- 2 **Electrical safety**
 - a **Power tool plugs must match the outlet. Never modify the plug in any way. Do not use any adapter plugs with earthed (grounded) power tools.** Unmodified plugs and matching outlets will reduce the risk of electric shock.
 - b **Avoid body contact with earthed or grounded surfaces such as pipes, radiators, ranges and refrigerators.** There is an increased risk of electric shock if your body is earthed or grounded.
 - c **Do not expose power tools to rain or wet conditions.** Water entering a power tool will increase the risk of electric shock.
 - d **Do not abuse the cord. Never use the cord for carrying, pulling or unplugging the power tool. Keep cord away from heat, oil, sharp edges or moving parts.** Damaged or entangled cords increase the risk of electric shock.
 - e **When operating a power tool outdoors, use an extension cord suitable for outdoor use.** Use of a cord suitable for outdoor use reduces the risk of electric shock.
 - f **If operating a power tool in a damp location is unavoidable, use a residual current device (RCD) protected supply.** Use of an RCD reduces the risk of electric shock.
- 3 **Personal safety**
 - a **Stay alert, watch what you are doing and use common sense when operating a power tool. Do not use a power tool while you are tired or under the influence of drugs, alcohol or medication.** A moment of inattention while operating power tools may result in serious personal injury.
 - b **Use personal protective equipment. Always wear eye protection.** Protective equipment such as dust mask, non-skid safety shoes, hard hat, or hearing protection used for appropriate conditions will reduce personal injuries.
 - c **Prevent unintentional starting. Ensure the switch is in the off-position before connecting to power source and/or battery pack, picking up or carrying the tool. Carrying power tools with your finger on the switch or energising power tools that have the switch on invites accidents.**
 - d **Remove any adjusting key or wrench before turning the power tool on. A wrench or a key**

left attached to a rotating part of the power tool may result in personal injury.

- e **Do not overreach. Keep proper footing and balance at all times.** This enables better control of the power tool in unexpected situations.
 - f **Dress properly. Do not wear loose clothing or jewellery. Keep your hair, clothing and gloves away from moving parts.** Loose clothes, jewellery or long hair can be caught in moving parts.
 - g **If devices are provided for the connection of dust extraction and collection facilities, ensure these are connected and properly used.** Use of dust collection can reduce dust-related hazards.
- 4 **Power tool use and care**
- a **Do not force the power tool. Use the correct power tool for your application.** The correct power tool will do the job better and safer at the rate for which it was designed.
 - b **Do not use the power tool if the switch does not turn it on and off.** Any power tool that cannot be controlled with the switch is dangerous and must be repaired.
 - c **Disconnect the plug from the power source and/or the battery pack from the power tool before making any adjustments, changing accessories, or storing power tools.** Such preventive safety measures reduce the risk of starting the power tool accidentally.
 - d **Store idle power tools out of the reach of children and do not allow persons unfamiliar with the power tool or these instructions to operate the power tool.** Power tools are dangerous in the hands of untrained users.
 - e **Maintain power tools. Check for misalignment or binding of moving parts, breakage of parts and any other condition that may affect the power tool's operation. If damaged, have the power tool repaired before use.** Many accidents are caused by poorly maintained power tools.
 - f **Keep cutting tools sharp and clean.** Properly maintained cutting tools with sharp cutting edges are less likely to bind and are easier to control.
 - g **Use the power tool, accessories and tool bits etc. in accordance with these instructions, taking into account the working conditions and the work to be performed.** Use of the power tool for operations different from those intended could result in a hazardous situation.
- 5 **Battery tool use and care**
- a **Recharge only with the charger specified by the manufacturer.** A charger that is suitable for one type of battery pack may create a risk of fire when used with another battery pack.
 - b **Use power tools only with specifically designated battery packs.** Use of any other battery packs may create a risk of injury and fire.
 - c **When battery pack is not in use, keep it away from other metal objects, like paperclips, coins, keys, nails, screws or other small metal objects that can make a connection from one terminal to another.** Shorting the battery terminals together may cause burns or a fire.
 - d **Under abusive conditions, liquid may be ejected from the battery; avoid contact. If contact accidentally occurs, flush with water. If liquid contacts eyes, additionally seek medi-**

cal help. Liquid ejected from the battery may cause irritation or burns.

- 6 **Service**
- a **Have your power tool serviced by a qualified repair person using only identical replacement parts.** This will ensure that the safety of the power tool is maintained.

Additional General Safety Instructions

Note • Regulations may restrict the use of this device in some regions. Seek advice from your local authorities.

⚠ DANGER • Risk of fatal injury from cuts as a result of uncontrolled device movements. Keep body parts away from moving parts. • Risk of injury from hurled or falling objects. Never use the device if there are persons, in particular children or animals, within a radius of 15 m. • No changes may be made to the device.

⚠ WARNING • Children and persons unfamiliar with these instructions are not allowed to operate the device. The age of the operator may be limited by local restrictions. • You need an unobstructed view of the work area in order to be able to recognise any potential dangers. Use the device only under good lighting conditions. • Before operation, make sure the device, all control elements, and safety devices are working properly. Check for loose locks, make sure all protective covers and handles are properly and securely fastened. Only use the device when it is in a correct condition. • Replace any worn or damaged parts before operating the device. • Never use the device if the trigger on the handle does not switch on and off correctly. • Risk of kickback due to loss of balance. Avoid an abnormal posture, keep a stable, safe footing and maintain your balance. • Serious injuries due to negligence through familiarity with the device due to frequent use. • Immediately stop the device and check for damage or identify the cause of the vibration if the device has been dropped, hit or vibrates abnormally. Have damage repaired by the authorised Customer Service or replace the device.

⚠ CAUTION • Wear full eye protection and hearing protection, strong and sturdy gloves and head protection when operating the device. Wear a face mask when the work is dusty. • Wear long, heavy trousers, sturdy shoes and well-fitting gloves when working with the device. Do not work barefoot. Do not wear any jewellery, sandals or short trousers. • Risk of injury when loose fitting clothing, hair or jewellery is caught by moving parts of the device. Keep clothing and jewellery away from moving parts of the device. Tie long hair back. • Hearing protection can impair your ability to hear warning sounds, so pay attention to hazards in your vicinity and in the work area. • The operation of similar tools in the environment increases the risk of hearing damage and the likelihood of failing to hear potential hazards, e.g. people entering your work area. • Slippery handles and gripping surfaces prevent safe operation and control of the device in unexpected situations. Keep handles and gripping surfaces dry, clean, and free from oil and grease. • Only use accessories and spare parts which are approved by the manufacturer. Only original accessories and original spare parts ensure that the appliance will run fault-free and safely.

Safety precautions for cordless saw

⚠ WARNING • Do not use the device if there is a danger of lightning. • Ensure that all protective devices and handles are correctly fitted, securely fastened and in good condition. • Ensure a firm footing, a clean workplace and plan a retreat path from falling branches before using the device. • Beware of exhaust fumes, oil vapour and sawdust. If necessary, wear a mask or breathing apparatus. • Always hold the branch cutter with both hands. Hold the shaft firmly with one hand. Hold the rear handle firmly with the other hand, operate the power trigger lockout button and the trigger. • Risk of electric shock if the saw chain comes into contact with hidden power lines. Hold power tools only by the insulated gripping surfaces, as the contact with live cables can make the metal parts of the device live. • Risk of injury. Do not make any modifications to the device. Do not use the device to drive attachments or devices not recommended by the manufacturer of the device.

Kickback may occur when the nose or tip of the guide rail touches an object, or when the wood bends and jams the saw chain in the cut. Tip contact may cause a sudden reverse reaction in some cases, kicking the guide rail up and back towards the operator. Jamming of the saw chain in the top of the guide rail may push the rail rapidly back towards the operator. Any of these reactions can lead to a loss of control.

⚠ WARNING • Serious injuries due to loss of control through a kickback. Do not rely solely on the built-in safety devices, but take appropriate measures to work accident-free and injury-free. • You must wear the carrying belt provided when using the device. The carrying belt is fitted with a quick-release buckle. The carrying belt helps you to control the device when it is lowered after cutting and to hold the weight of the device during cutting. • Serious injuries if the carrying belt cannot be removed quickly enough in an emergency. Familiarize yourself with the carrying belt and the quick-release buckle before using the device. Do not wear clothing over the shoulder strap or otherwise interfere with access to the quick-release buckle. • Before switching on the device, make sure that the saw chain does not touch any objects. • Serious injuries if a wrongly tensioned saw chain jumps out of the guide rail. Check the chain tension before each use. Make sure the chain is oiled, especially for new saw chains.

• Switch the motor off, remove the battery pack and make sure that all moving parts have stopped moving:

- Before cleaning the device or removing a blockage.
- When leaving the device unattended.
- Before mounting or removing attachments.
- Before checking, cleaning or working on the device.
- Risk of injury due to kickback. Measures to prevent a kickback:
 - Make sure your work area is clear of obstacles.
 - Avoid any contact of the guide tip with branches, twigs or other objects while working with the branch cutter.
 - Hold the device with both hands.
 - Position your body and arms so that you can resist kickback forces.
 - Never let go of the branch cutter during operation.
 - Avoid unnatural postures. This gives you more control over the branch cutter and prevents unintentional contact with the tip of the bar in unexpected situations.

- Only use the replacement bars and chains recommended by the manufacturer. Incorrect replacement bars and chains may cause chain breakage and/or kickback.
- Sharpening the saw chain is a challenging task. The manufacturer recommends replacing a worn or dull chain with a new saw chain.
 - Risk of injury. Do not use the device on ladders or unstable surfaces. Always stand with both legs on firm ground to keep your balance when cutting. • Risk of electric shock. Do not work with the device within 10 m of overhead lines. • Risk of injury if a branch under tension snaps back when cutting. • Watch for falling branches and branches that spring back after falling to the ground. • The operator can lose their balance if thin wood gets caught in the saw and flies in the direction of the operator. Be careful when sawing small shrubs and saplings. • Check the saw teeth if the cutting performance diminishes. Keep the cutting tools sharp and clean. Sharp cutting tools are easier to control and do not block so easily. If necessary, replace the chain and the bar. Only use original spare parts from the manufacturer. • Risk of injury due to a jammed cutting device. If the saw chain or guide rail has become trapped too high to reach, seek the advice of a professional arborist to safely remove the cutting device. • Before each use, check that the shaft connection of the rod and the cutting tool are securely fastened.

ATTENTION • Only store the device indoors.

Additional safety instructions for the battery pack

⚠ WARNING • Danger of injury, fire and product damage due to short-circuit. Corrosive or conductive liquids, such as salt water, certain chemicals, bleach, and products containing bleach can cause a short-circuit. Do not immerse the device, the removable battery or the charger in liquids. Make sure that no liquids penetrate into the device or the battery pack.

Safe transport and storage

⚠ WARNING • Switch the device off, allow it to cool down and remove the battery pack before storage or transportation. • Cover the cutting tool with the bar scabbard before storing or transporting the device.

⚠ CAUTION • Risk of injury and damage to the device. Secure the device against movement or falling down during transport.

ATTENTION • Remove all foreign bodies from the device before storage or transportation. • Store the device in a dry, well ventilated location out of the reach of children. Keep the device away from corrosive substances such as garden chemicals. • Do not store the device outdoors. • Make sure the chain is lightly oiled when storing the device for more than one month. The manufacturer recommends using a spray for rust protection and oiling. Ask your Customer Service department to recommend a suitable spray.

Safe servicing and care

Note • Service and maintenance work may only be performed by suitably qualified and specially trained personnel. We recommend sending the product to an authorised service centre for repair. • You may only perform the adjustments and repairs described in these

operating instructions. Contact your authorised Customer Service department for other repairs.

⚠ WARNING • Risk of injury. The saw chain is extremely sharp. Wear suitable protective gloves when performing chain maintenance and when cleaning, securing or removing the bar scabbard. • Follow the instructions for chain tensioning, chain tension adjustment and chain lubrication. • Severe injuries due to kickback if a damaged chain is not replaced or repaired. • Turn off the motor and remove the battery pack before cleaning or servicing the device. • Ensure that the device is in a safe condition by regularly checking that all bolts, nuts and screws are screwed tight. • Risk of injury due to long, uninterrupted use of the device. Take regular breaks while working with the device.

⚠ CAUTION • Only use accessories and spare parts and attachments that are approved by the manufacturer. Only original spare parts, original accessories and original attachments ensure fault-free and safe operation of the device.

ATTENTION • Clean the product with a soft, dry cloth each time after use.

Residual risks

⚠ WARNING

- Certain residual risks remain present, even when the device is operated in the prescribed manner. The following dangers can be present when using the device:
- *Vibration can cause injuries. Use the correct tools for the job, use the handles provided and restrict the working time and hazard exposure time.*
- *Noise can cause hearing injuries. Wear hearing protection and limit the duration of exposure.*
- *Incision injuries on contact with exposed saw teeth of the saw chain.*
- *Incision injuries due to unforeseen, abrupt movements or kickback of the g bar scabbard.*
- *Incision injuries / risk of injection by parts flying away from the saw chain.*
- *Injuries caused by hurled objects (wood shavings, splinters).*
- *Inhalation of dust and particles.*
- *Skin contact with the lubricant / oil.*

Risk reduction

⚠ CAUTION

- *Using the device for longer periods can cause poor circulation in the hands due to vibrations. A general period of use cannot be set, because this depends on several influencing factors:*
 - *Personal tendency to suffer from poor circulation (frequently cold fingers, tingling sensation in the fingers)*
 - *Low ambient temperature. Wear warm gloves to protect your hands.*
 - *Holding the device too tightly hindering blood circulation.*
 - *Continuous operation is more harmful than operation interrupted by work breaks.*
- You should see a doctor if using the device regularly and for lengthy periods of time, and in the event of repeated occurrences of symptoms such as tingling in the fingers or cold fingers.*

Intended use

⚠ DANGER

Improper use

Danger of death from incision injuries

Only use the device for its proper use.

- The cordless saw with extension is only intended for private use.
- The device is intended for outdoor use only.
- For safety reasons, always hold the device firmly with both hands.
- The device is intended for pruning and trimming small branches and twigs high on a tree. The user stands securely on the ground.

Any other use, e.g. when climbing, for pruning low branches or for cutting material at ground level is prohibited. The user shall be liable for hazards arising as a result of improper use.

Environmental protection



The packing materials can be recycled. Please dispose of packaging in accordance with the environmental regulations.



Electrical and electronic appliances contain valuable, recyclable materials and often components such as batteries, rechargeable batteries or oil, which - if handled or disposed of incorrectly - can pose a potential threat to human health and the environment. However, these components are required for the correct operation of the appliance. Appliances marked by this symbol are not allowed to be disposed of together with the household rubbish.

Notes on the content materials (REACH)

Current information on content materials can be found at: www.kaercher.com/REACH

Accessories and spare parts

Only use original accessories and original spare parts. They ensure that the appliance will run fault-free and safely.






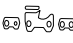
Information on accessories and spare parts can be found at www.kaercher.com.

Scope of delivery

The scope of delivery for the appliance is shown on the packaging. Check the contents for completeness when unpacking. If any accessories are missing or in the event of any shipping damage, please notify your dealer.

Symbols on the device

	General warning symbol
	Read the operating instructions and all safety instructions before operating the device for the first time.
	Wear non-slip, sturdy gloves when working with the device.
	Wear non-slip safety shoes when working with the device.

	Always wear suitable eye protection and hearing protection when working with the device.
	Do not subject the device to rain or moist conditions.
	Electrical hazard. Keep a minimum distance of 10 m away from overhead lines when working with the device.
	Danger due to flung objects. Keep spectators, especially children and pets, at least 15 m away from the work area.
	Pull: Quick-release catch
	Running direction of the chain

Protective clothing

⚠ DANGER

Risk of fatal injury from cut injuries. Wear suitable protective clothing when working with the device. Observe the local regulations for accident prevention.

Head protection

When working with the device, wear a suitable safety helmet that complies with EN 397 and is CE marked. When working with the device, wear hearing protection that complies with EN 352-1 and is CE marked. For protection against flying splinters, wear suitable safety goggles that comply with EN 166 or are CE marked. Or wear a helmet visor that complies with EN 1731 and is CE marked. Protective helmets with hearing protection and a safety visor are available in specialist shops.

Protective gloves

Wear suitable protective gloves with cut protection equipment that comply with EN 381-7 and are CE marked when working with the device.

Safety shoes

Wear non-slip safety shoes that meet EN 20345 and are CE marked when working with the device.

Description of the device

The maximum amount of equipment is described in these operating instructions. Depending on the model used, there are differences in the scope of delivery (see packaging).

See graphics page for illustrations

Illustration A

- ① Chain
- ② Guide rail
- ③ End stop
- ④ Guide rail pin
- ⑤ Bar cover

- ⑥ Screw for adjusting the chain tension
- ⑦ Chain oil tank cap
- ⑧ Upper shaft
- ⑨ Twist collar
- ⑩ Extension insert
- ⑪ Eyelet for carrying belt
- ⑫ Lower shaft
- ⑬ Handle
- ⑭ Battery pack trigger
- ⑮ Type plate
- ⑯ Trigger
- ⑰ Trigger lockout button
- ⑱ Carrying belt
- ⑲ Allen key for adjusting the chain tension
- ⑳ Bar scabbard
- ㉑ Chain oil
- ㉒ *Battery Pack Battery Power 18V
- ㉓ *Quick Charger Battery Power 18V

* optional

Rechargeable battery pack

The device can be operated with a 18 V Kärcher Battery Power battery pack.

Initial startup

Installing shaft

If required, the device can be extended with the included extension insert.

1. Connect the lower shaft and the extension insert.
- Illustration B**
2. Connect the upper shaft and the extension insert.

Inserting the carrying belt

The carrying belt helps to lower the device in a controlled manner after cutting and to catch the weight of the device during use.

Illustration C

1. Hook the carrying belt hooks into the eyelets on the handle and shaft. Place the carrying belt over one shoulder. Make sure that the carrying belt can be released quickly in the event of danger.

Filling the chain oil tank

1. If necessary, clean the area around the filling hole of sawdust and dirt.
2. Remove the chain oil tank cap.

Illustration D

3. Fill the chain oil into the tank. Check the filling level of the chain oil on the sight glass and make sure that the chain oil tank is filled to the maximum below the filling hole.

Illustration E

4. Wipe up any spilled chain oil with a cloth.
5. Close the chain oil tank cap.

Checking the chain tension

⚠ CAUTION

Sharp chain

Incision injuries

Wear protective gloves when working on the chain.

1. Remove the bar scabbard.

Illustration F

2. Carefully pull on the chain.

Illustration G

The distance between the guide rail and the chain must be 3-4 mm.

3. If necessary, adjust the chain tension (see Chapter *Adjusting the chain tension*).

Installing the battery pack

1. Push the battery pack into the mounting in the device until it audibly latches into place.

Illustration H

Operation

Basic operation

1. Examine the tree and branches for damage such as rot.
In the case of damaged or rotten branches, seek the advice of a professional arborist.
2. Remove the bar scrubber.
3. Hold the device firmly with both hands.

Switch on the device

1. Press the trigger lockout button.

Illustration I

2. Press the trigger.
The device starts up.
3. Release the trigger.
The device stops.

Working techniques

When pruning, proceed as follows:

- Place the bar on the branch to be cut and push the device forward so that the end stop touches the branch.

Illustration J

The device stabilizes during pruning and the cuts are made cleaner.

- Where possible, maintain a distance of approx. 15 cm between the tree trunk and the cut.
- Cut small branches that are thin and light a single cut with the bottom edge of the guide rail.
- Heavier branches of larger diameter may break or splinter during pruning. Therefore, cut in several steps:

- a Make a cut in the underside of the branch with the top edge of the guide rail. This cut should be about one third of the branch diameter.

Illustration K

- b Make a cut in the top of the branch.
- c If another cut is necessary, never continue cutting in an existing cut but rather start a new cut.

The following should be noted when pruning:

- Do not raise the bar higher than 60 ° from the horizontal.
- Do not exert excessive force on the guide rail.
- Do not stand under the branch being sawn off.
- Make sure that the falling branch does not endanger the user or spectators nor damage any objects.

- Maintain a safety distance of at least twice the branch length when pruning. If this is not possible, have the work done by a professional arborist.

Removing the battery pack

Note

During longer work breaks, remove the battery pack from the device and secure it against unauthorised use.

1. Press the battery pack unlocking button to unlock the battery pack.

Illustration L

2. Remove the battery pack from the device.

Finishing operation

1. Remove the battery pack from the device (see Chapter *Removing the battery pack*).
2. Clean the device (see Chapter *Cleaning the device*).

Transport

⚠ CAUTION

Failure to observe the weight

Risk of injury and damage

Be aware of the weight of the device during transportation.

⚠ CAUTION

Uncontrolled startup

Incision injuries

Remove the battery pack from the device before transport.

Transport the device only with the blade guard fitted.

- Secure the device against slipping and tipping over when transporting in vehicles.

Storage

Clean the device before storing (see Chapter *Cleaning the device*).

⚠ CAUTION

Failure to observe the weight

Risk of injury and damage

Be aware of the weight of the device during storage.

⚠ CAUTION

Uncontrolled startup

Incision injuries

Remove the battery pack from the device before storage.

Store the device only with the blade guard fitted.

1. Remove the carrying belt.
2. Disassemble the shaft into its individual parts.
3. If the device is to be stored for more than one month, oil the chain to prevent rust.
4. Store the device in a dry, well ventilated location. Keep away from corrosive substances such as garden chemicals and defrosting salt. Do not store the device outdoors.

Care and service

⚠ CAUTION

Uncontrolled startup

Incision injuries

Remove the battery from the device before all work on the device.

⚠ CAUTION

Sharp chain

Incision injuries

Wear protective gloves when working on the chain.

Cleaning the device

1. Remove the battery pack (see Chapter *Removing the battery pack*).
2. Use a brush to clean the chain of cutting residue and dirt.
Illustration M
3. Clean the housing and handles with a soft, dry cloth.

Maintenance work

Before every use

The following activities must be carried out before every use:

- Check the filling level of the chain oil, top up the chain oil if necessary (see Chapter *Filling the chain oil tank*).
- Check the chain tension (see Chapter *Checking the chain tension*).
- Check the chain for sufficient sharpness, if necessary, invert the guide rail or replace the chain (see Chapter *Replacing the chain*).
- Check the device for damage.
- Check all pins, nuts and screws for tightness.

Adjusting the chain tension

1. Remove the battery pack (see Chapter *Removing the battery pack*).

2. Release the guide rail pin.
Illustration N
3. Adjust the chain tension with the screw.
Illustration O
4. Check the chain tension.
Illustration G
The distance between the guide rail and the chain must be 3 - 4 mm.
5. Tighten the guide rail pin.

Replacing the chain

1. Remove the battery pack (see Chapter *Removing the battery pack*).
2. Remove the guide rail nut.
Illustration P
3. Remove the bar cover and guide rail.
Illustration Q
4. Dispose of the old chain professionally.
5. Fit the new chain on the guide rail.
Illustration R
6. Mount the guide rail. Pay attention to the running direction of the chain.
Illustration S
7. Mount the bar cover, loosely fastening the guide rail nut.
Illustration T
8. Adjust the chain tension (see Chapter *Adjusting the chain tension*).

Troubleshooting guide

Malfunctions often have simple causes that you can remedy yourself using the following overview. When in doubt, or in the case of malfunctions not mentioned here, please contact your authorised Customer Service.

As the battery pack ages, even if it is looked after, its capacity reduces such that the full run time will no longer be reached when fully charged. This does not indicate a defect.

Fault	Cause	Rectification
The device does not start up	Battery pack is empty	● Charge the battery pack.
	Battery pack is defective.	● Replace the battery pack.
	Battery pack is not inserted correctly.	● Push the battery pack into the mounting until it latches into place.
The device stops during operation	Chain blocked by clippings.	● Remove the clippings.
	The battery has overheated	● Stop working and allow the battery to cool down to normal battery temperature.
	Motor has overheated	● Stop working and allow the motor to cool down.

Warranty

The warranty conditions issued by our relevant sales company apply in all countries. We shall remedy possible malfunctions on your appliance within the warranty period free of cost, provided that a material or manufacturing defect is the cause. In a warranty case, please contact your dealer (with the purchase receipt) or the next authorised customer service site.
(See overleaf for the address)

Technical data

		PSW 18-20
Device performance data		
Working voltage of the battery	V	18
Idle speed	m/s	5,5
Chain oil tank volume	ml	50
Cut material diameter (max.)	mm	180
Working range (max.)	m	3
Determined values in acc. with EN ISO 11680-1		
Sound pressure level L_{pA}	dB(A)	78,4
Uncertainty K_{pA}	dB(A)	3
Sound power level L_{WA}	dB(A)	91,6
Uncertainty K_{WA}	dB(A)	3



THANK YOU!
MERCI! DANKE! ¡GRACIAS!



Registrieren Sie Ihr Produkt und profitieren Sie von vielen Vorteilen.

Register your product and benefit from many advantages.

Enregistrez votre produit et bénéficiez de nombreux avantages.

Registre su producto y aproveche de muchas ventajas.

www.kaercher.com/welcome



Bewerten Sie Ihr Produkt und sagen Sie uns Ihre Meinung.

Rate your product and tell us your opinion.

Évaluer votre produit et dites-nous votre opinion.

Reseñe su producto y díganos su opinión.



www.kaercher.com/dealersearch

Alfred Kärcher SE & Co. KG
Alfred-Kärcher-Str. 28-40
71364 Winnenden (Germany)
Tel.: +49 7195 14-0
Fax: +49 7195 14-2212

